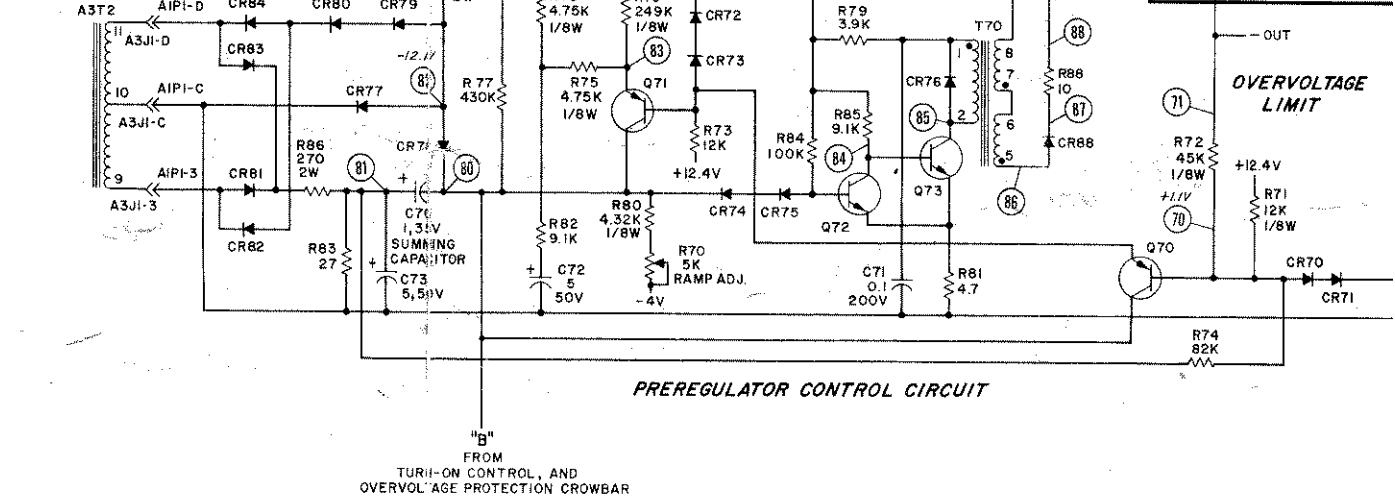
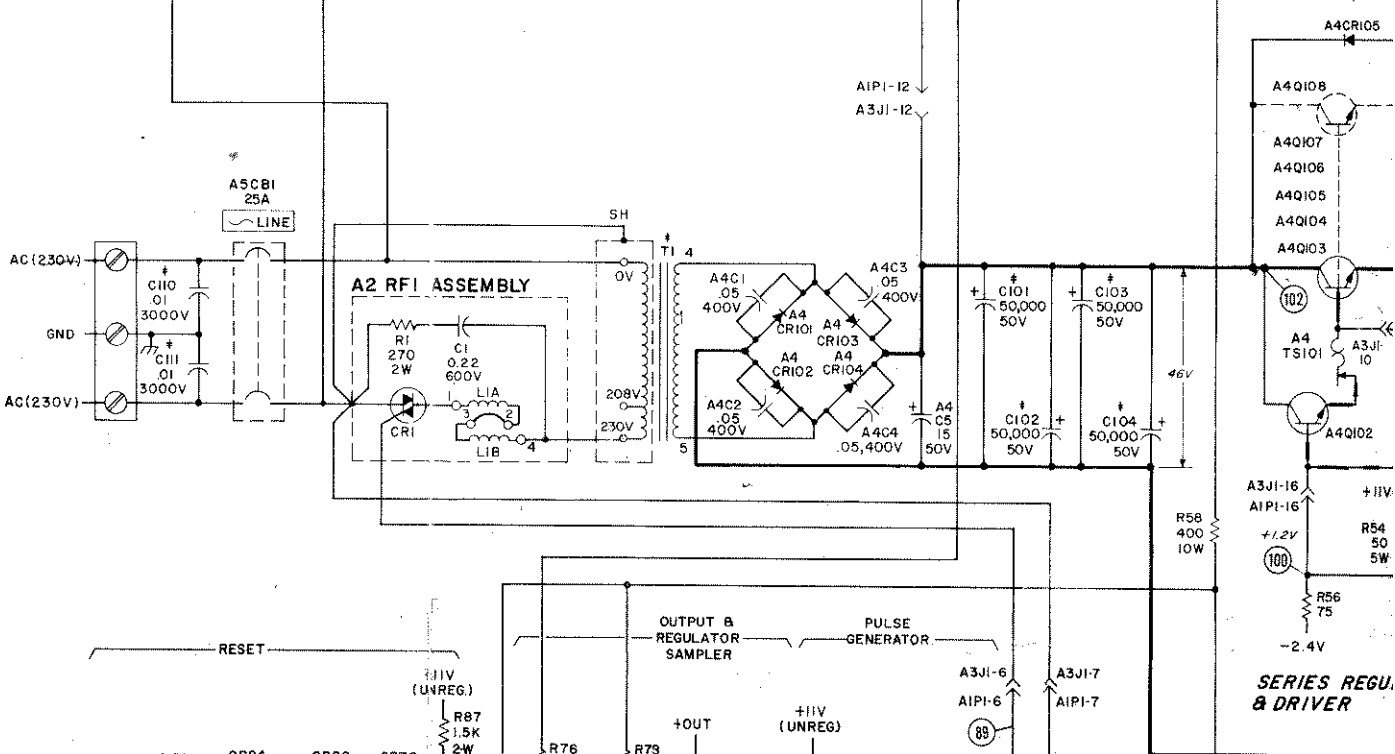
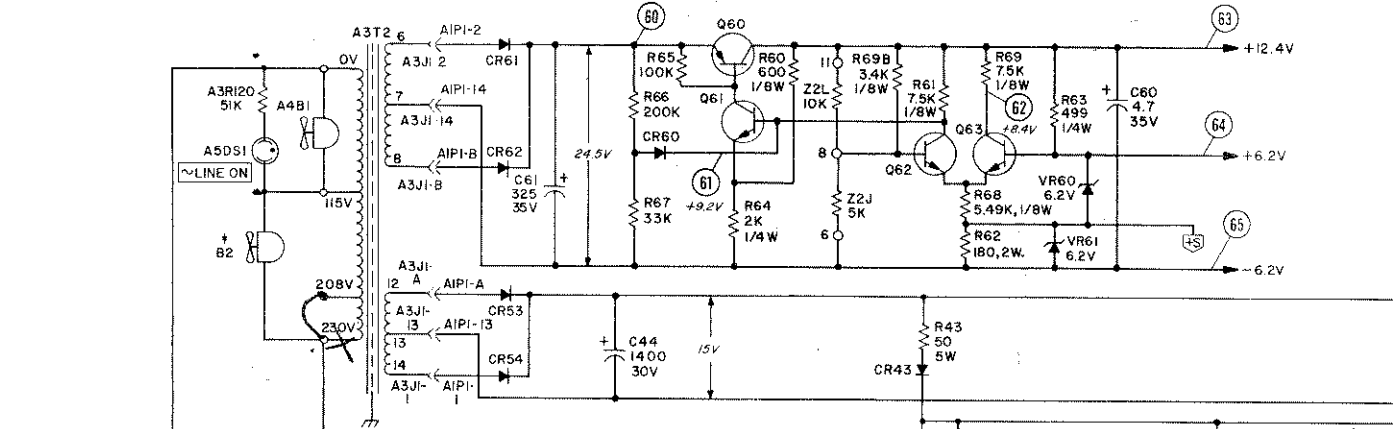
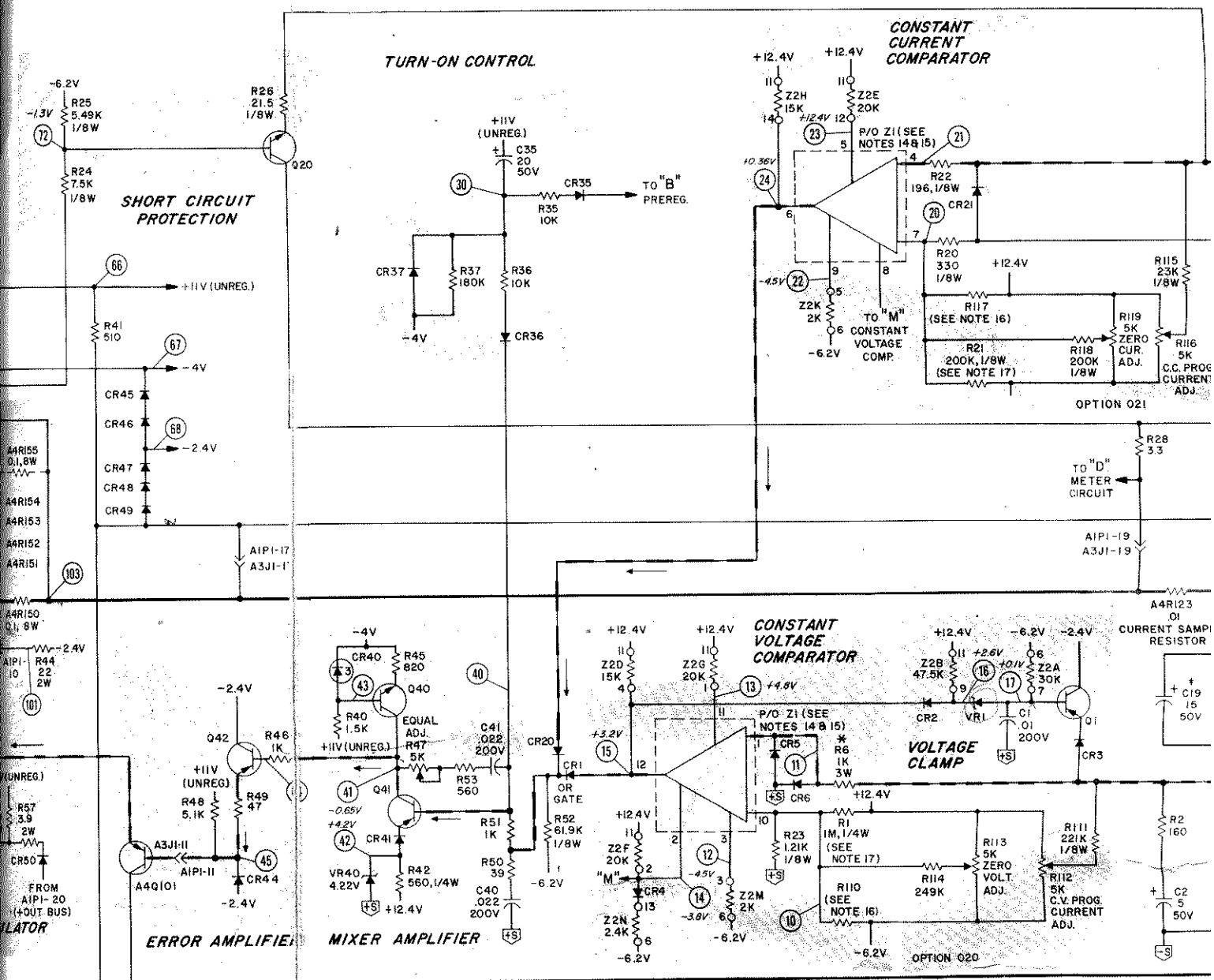


REFERENCE CIRCUIT

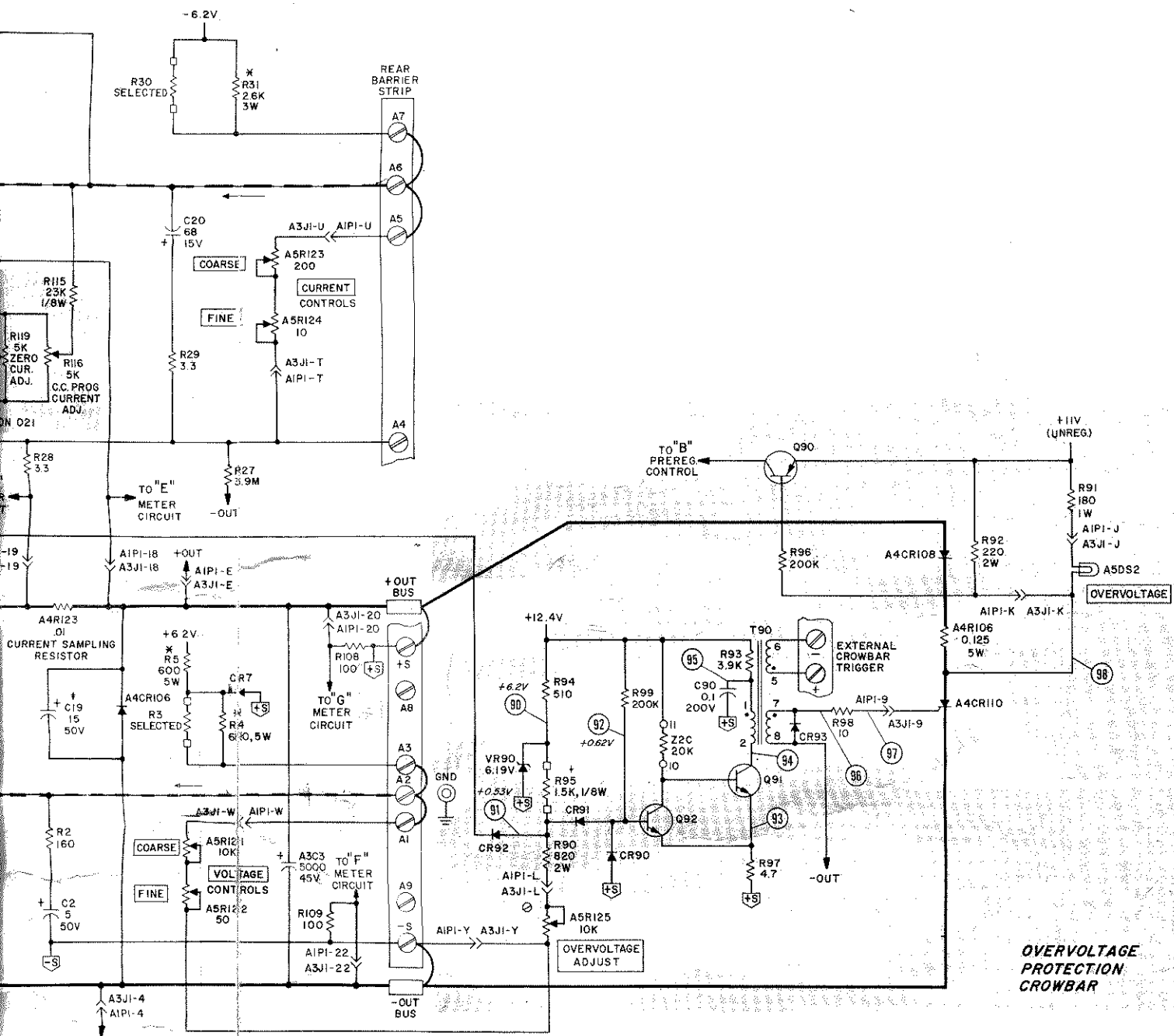


"B" FROM TURBON-ON CONTROL, AND OVERVOLTAGE PROTECTION CROWBAR



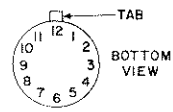
- NOTES:**
1. ALL RESISTORS ARE IN OHMS, 1/2W, ±
  2. ALL 1/4W & 1/8W RESISTORS ARE ±
  3. ALL CAPACITORS ARE IN MICROFARAD
  4. REAR TERMINALS ARE SHOWN IN NO FRONT PANEL CONTROLS.
  5. TRANSFORMERS SHOWN STRAPPED FOR DC VOLTAGES WERE MEASURED UNDER A HEWLETT PACKARD MODEL 427A B 230VAC INPUT.
  6. VOLTAGES REFERENCED TO +S U D VOLTAGES ARE TYPICAL ±10% UNLESS OTHERWISE INDICATED, AS RATED OUTPUT WITH NO LOAD C BE TURNED FULLY CLOCKWISE.
  7. † DENOTES NOMINAL VALUE COMPONE
  8. ——— DENOTES FORWARD SIGNAL
  9. ——— DENOTES FORWARD SIGNAL
  10. □ DENOTES FRONT PANEL M
  11. \* DENOTES ±30% PPM WIRE TEMPE
  12. ALL COMPONENTS LOCATED ON MAIN UNLESS OTHERWISE INDICATED, AS
  13. † DENOTES CHASSIS MOUNTED COM

CIRCUIT PATENTS APPLIED FOR. LICENSE TO USE MUST BE OBTAINED IN WRITING FROM HEWLETT-PACKARD CO., NEW JERSEY DIVISION.

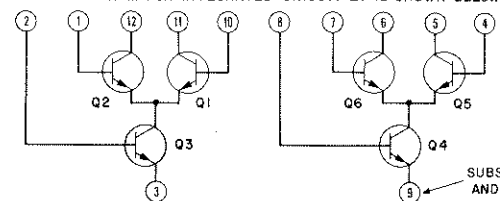


IN OHMS, 1/2W, ±5% UNLESS OTHERWISE NOTED.  
 RESISTORS ARE ±1%, UNLESS OTHERWISE NOTED.  
 CAPACITORS ARE IN MICROFARADS UNLESS OTHERWISE NOTED.  
 RESISTORS ARE SHOWN IN NORMAL STRAPPING FOR USE OF  
 PINS.  
 INSTRUMENT IS STRAPPED FOR 230VAC OPERATION.  
 CURRENT MEASURED UNDER THE FOLLOWING CONDITIONS:  
 MODEL 427A OR EQUIVALENT.  
 MEASURED TO +S UNLESS OTHERWISE NOTED.  
 TYPICAL ±10% UNLESS OTHERWISE NOTED.  
 OPERATED IN CONSTANT VOLTAGE OPERATION AT MAXIMUM  
 CURRENT WITH NO LOAD CONNECTED. CURRENT CONTROLS SHOULD  
 BE TURNED OFF.  
 VALUE COMPONENT SELECTED FOR OPTIMUM PERFORMANCE.  
 FORWARD SIGNAL PATH OF THE VOLTAGE FEEDBACK LOOP.  
 FORWARD SIGNAL PATH OF THE CURRENT FEEDBACK LOOP.  
 FRONT PANEL MARKING.  
 WIRE TEMPERATURE COEFFICIENT.  
 LISTED ON MAIN PRINTED CIRCUIT BD. A1 (5060-6189)  
 INDICATED, AS SHOWN BELOW:  
 ASSEMBLY.  
 ACTION BOARD ASSEMBLY.  
 ASSEMBLY.  
 L ASSEMBLY.  
 MOUNTED COMPONENTS.

14. PIN LOCATION DIAGRAM FOR INTEGRATED CIRCUIT Z1 IS SHOWN BELOW.



15. SCHEMATIC DIAGRAM FOR INTEGRATED CIRCUIT Z1 IS SHOWN BELOW.



16. RESISTORS R10 & R17 NOT SUPPLIED WITH INSTRUMENT; RESISTORS TO BE INSERTED BY CUSTOMER TO ADJUST EXACT ZERO VOLTAGE AND CURRENT OUTPUT (RESPECTIVELY) ONLY IF SUPPLY IS NOT EQUIPPED WITH OPTIONS Q20 AND Q21 RESPECTIVELY.  
 17. RESISTORS R1 & R21 NOT SUPPLIED WITH INSTRUMENTS THAT ARE EQUIPPED WITH OPTIONS Q20 & Q21 RESPECTIVELY.

Figure 7-11. Schematic Diagram, Model 6269B