

Noise Analysis in Operational Amplifier Circuits

Application Report

Contents

Introduction	1
Notational Conventions	1
Spectral Density	1
Types of Noise	2
Shot Noise	2
Thermal Noise	2
Flicker Noise	3
Burst Noise	3
Avalanche Noise	3
Noise Characteristics	4
Adding Noise Sources	4
Noise Spectra	6
Integrating Noise	6
Equivalent Noise Bandwidth	8
Resistor Noise Model	10
Op Amp Circuit Noise Model	10
Inverting and Noninverting Op Amp Circuit Noise Calculations	11
Differential Op Amp Circuit Noise Calculations	15
Summary	20
References	21
Appendix A Using Current Sources for Resistor Noise Analysis	A-1

List of Figures

1	Gaussian Distribution of Noise Amplitude	4
2	R1 and R2 Noise Model	5
3	1/f and White Noise Spectra	6
4	Equivalent Input Noise Voltage vs Frequency for TLV2772 as Normally Presented	8
5	Equivalent Input Noise Voltage vs Frequency for TLV2772 on Log-Log Scale	8
6	ENB Brick-Wall Equivalent	9
7	RC Filter	9
8	Resistor Noise Models	10
9	Op Amp Noise Model	10
10	Inverting and Noninverting Noise Analysis Circuit	11
11	E1	11
12	E2	12
13	E3	12
14	E_p	13
15	E_{np}	13
16	E_{nn}	14
17	Differential Op Amp Circuit Noise Model	15
18	e1	15
19	e2	16
20	e3	16
21	e4	16
22	inp	17
23	ep	17
24	inn	18
A-1	E1	A-1
A-2	E2	A-1
A-3	E3	A-1

List of Tables

1	ENB vs Filter Order for Low-Pass Filters	10
---	--	----

Noise Analysis in Operational Amplifier Circuits

ABSTRACT

This application report uses standard circuit theory and noise models to calculate noise in op amp circuits. Example analysis of the inverting, noninverting, and differential-amplifier circuits shows how calculations are performed. Characteristics of noise sources are presented to help the designer make informed decisions when designing for noise.

Introduction

“Statistical fluctuation of electric charge exists in all conductors, producing random variation of potential between the ends of the conductor. The electric charges in a conductor are found to be in a state of thermal agitation, in thermodynamic equilibrium with the heat motion of the atoms of the conductor. The manifestation of the phenomenon is a fluctuation of potential difference between the terminals of the conductor” – J.B. Johnson^[1]

“The term spontaneous fluctuations, although, perhaps, theoretically the most appropriate, is not commonly used in practice; usually it is simply called noise” – Aldert van der Ziel^[2]

Early investigators of noise likened spontaneous fluctuations of current and voltage in electric circuits to Brownian motion. In 1928 Johnson^[1] showed that electrical noise was a significant problem for electrical engineers designing sensitive amplifiers. The limit to the sensitivity of an electrical circuit is set by the point at which the signal-to-noise ratio drops below acceptable limits.

Notational Conventions

In the calculations throughout this report, lower case letters e and i indicate independent voltage and current noise sources; upper case letters E and I indicate combinations or amplified versions of the independent sources.

Spectral Density

A spectral density is a noise voltage or noise current per root hertz, i.e. V/\sqrt{Hz} or A/\sqrt{Hz} . Spectral densities are commonly used to specify noise parameters. The characteristic equations that identify noise sources are always integrated over frequency, indicating that spectral density is the natural form for expressing noise sources. To avoid confusion in the following analyses, spectral densities are identified, when used, by stating them as volts or amps per root hertz.

Types of Noise

In electrical circuits there are 5 common noise sources:

- Shot noise
- Thermal noise
- Flicker noise
- Burst noise
- Avalanche noise

In op amp circuits, burst noise and avalanche noise are normally not problems, or they can be eliminated if present. They are mentioned here for completeness, but are not considered in the noise analysis.

Shot Noise

Shot noise is always associated with current flow. Shot noise results whenever charges cross a potential barrier, like a pn junction. Crossing the potential barrier is a purely random event. Thus the instantaneous current, i , is composed of a large number of random, independent current pulses with an average value, i_D . Shot noise is generally specified in terms of its mean-square variation about the average value. This is

written as $\overline{i_n^2}$, where :

$$\overline{i_n^2} = \overline{(i - i_D)^2} = \int 2qi_D df \quad (1)$$

Where q is the electron charge (1.62×10^{-19} C) and df is differential frequency.

Shot noise is spectrally flat or has a uniform power density, meaning that when plotted versus frequency, it has a constant value. Shot noise is independent of temperature.

The term qi_D is a current power density having units A^2/Hz .

Thermal Noise

Thermal noise is caused by the thermal agitation of charge carriers (electrons or holes) in a conductor. This noise is present in all passive resistive elements.

Like shot noise, thermal noise is spectrally flat or has a uniform power density, but thermal noise is independent of current flow.

Thermal noise in a conductor can be modeled as voltage or current. When modeled as a voltage it is placed in series with an otherwise noiseless resistor. When modeled as a current it is placed in parallel with an otherwise noiseless resistor. The average mean-square value of the voltage noise source or current noise source is calculated by:

$$\overline{e^2} = \int 4kTRdf \text{ or } \overline{i^2} = \int (4kT / R)df \quad (2)$$

Where k is Boltzmann's constant (1.38×10^{-23} j/K), T is absolute temperature in Kelvin (K), R is the resistance of the conductor in ohms (Ω) and df is differential frequency.

The terms $4kTR$ and $4kT/R$ are voltage and current power densities having units of V^2/Hz and A^2/Hz .

Flicker Noise

Flicker noise is also called $1/f$ noise. It is present in all active devices and has various origins. Flicker noise is always associated with a dc current, and its average mean-square value is of the form:

$$\overline{e^2} = \int \left(K_e^2 / f \right) df \text{ or } \overline{i^2} = \int \left(K_i^2 / f \right) df \quad (3)$$

Where K_e and K_i are the appropriate device constants (in volts or amps), f is frequency, and df is differential frequency.

Flicker noise is also found in carbon composition resistors where it is often referred to as excess noise because it appears in addition to the thermal noise. Other types of resistors also exhibit flicker noise to varying degrees, with wire wound showing the least. Since flicker noise is proportional to the dc current in the device, if the current is kept low enough, thermal noise will predominate and the type of resistor used will not change the noise in the circuit.

The terms K_e^2/f and K_i^2/f are voltage and current power densities having units of V^2/Hz and A^2/Hz .

Burst Noise

Burst noise, also called popcorn noise, appears to be related to imperfections in semiconductor material and heavy ion implants. Burst noise makes a popping sound at rates below 100 Hz when played through a speaker. Low burst noise is achieved by using clean device processing.

Avalanche Noise

Avalanche noise is created when a pn junction is operated in the reverse breakdown mode. Under the influence of a strong reverse electric field within the junction's depletion region, electrons have enough kinetic energy that, when they collide with the atoms of the crystal lattice, additional electron-hole pairs are formed. These collisions are purely random and produce random current pulses similar to shot noise, but much more intense.

Noise Characteristics

Since noise sources have amplitudes that vary randomly with time, they can only be specified by a probability density function. Thermal noise and shot noise have Gaussian probability density functions. The other forms of noise noted do not. If δ is the standard deviation of the Gaussian distribution, then the instantaneous value lies between the average value of the signal and $\pm\delta$ 68% of the time. By definition, δ^2 (variance) is the average mean-square variation about the average value. This means that in noise signals having Gaussian distributions of amplitude, the average mean-square variation about the average value, $\overline{i^2}$ or $\overline{e^2}$, is the variance δ^2 , and the rms value is the standard deviation δ .

Theoretically the noise amplitude can have values approaching infinity. However, the probability falls off rapidly as amplitude increases. An effective limit is $\pm 3\delta$, since the noise amplitude is within these limits 99.7% of the time. Figure 1 shows graphically how the probability of the amplitude relates to the rms value.

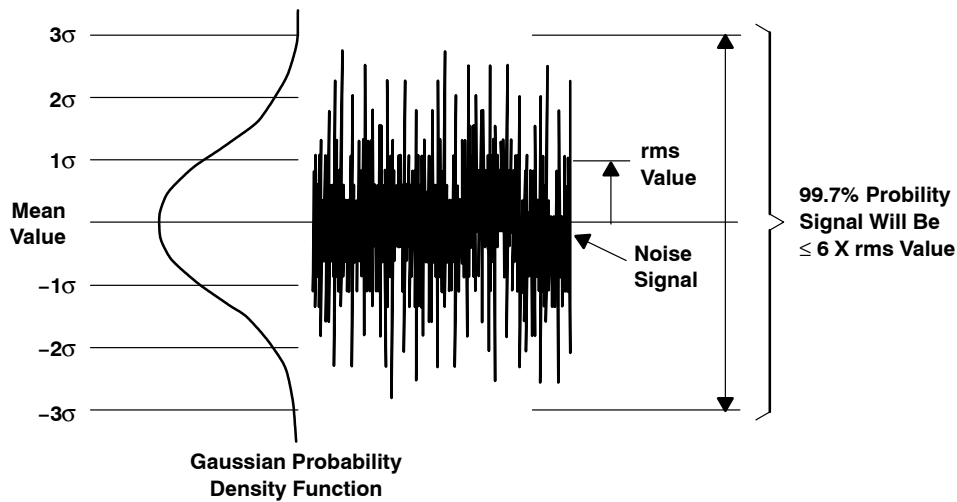


Figure 1. Gaussian Distribution of Noise Amplitude

Since the rms value of a noise source is equal to δ , to assure that a signal is within peak-to-peak limits 99.7% of the time, multiply the rms value by 6 ($+3\delta - (-3\delta)$): $E_{rms} \times 6 = E_{pp}$. For more or less assurance, use values between 4 (95.4%) and 6.8 (99.94%).

Adding Noise Sources

With multiple noise sources in a circuit, the signals must be combined properly to obtain the overall noise signal.

Consider the example of two resistors, R_1 and R_2 , connected in series. Each resistor has a noise generator associated with it as shown in Figure 2 where

$$\overline{e_1^2} = \int 4kTR_1 df \quad \text{and} \quad \overline{e_2^2} = \int 4kTR_2 df .$$

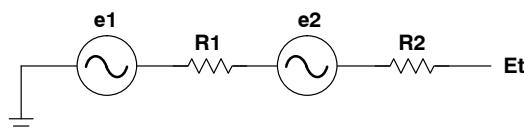


Figure 2. R1 and R2 Noise Model

To calculate the average mean square voltage, $\overline{E_t^2}$, across the two resistors, let $E_t(t) = e_1(t) + e_2(t)$ be the instantaneous values. Then

$$\overline{E_t(t)^2} = \overline{[e_1(t) + e_2(t)]^2} = \overline{e_1(t)^2} + \overline{e_2(t)^2} + \overline{2e_1(t)e_2(t)} \quad (4)$$

Since the noise voltages, $e_1(t)$ and $e_2(t)$, arise from separate resistors, they are independent, and the average of their product is zero:

$$\overline{2e_1(t)e_2(t)} = 0 \quad (5)$$

This results in

$$\overline{E_t^2} = \overline{e_1^2} + \overline{e_2^2}. \quad (6)$$

Therefore, as long as the noise sources arise from separate mechanisms and are independent, which is usually the case, the average mean square value of a sum of separate independent noise sources is the sum of the individual average mean square values. Thus in our example $\overline{E_t^2} = \int 4kT(R_1 + R_2)df$, which is what would be expected. This is derived using voltage sources, but also is true for current sources. The same result can be shown to be true when considering two independent sine wave sources.

Noise Spectra

A pure sine wave has power at only one frequency. Noise power, on the other hand, is spread over the frequency spectrum. Voltage noise power density, $\overline{e^2}/\text{Hz}$, and current noise power density, $\overline{i^2}/\text{Hz}$ are often used in noise calculations. To calculate the mean-square value, the power density is integrated over the frequency of operation. This application report deals with noise that is constant over frequency, and noise that is proportional to $1/f$.

Spectrally flat noise is referred to as white noise. When plotted vs frequency, white noise is a horizontal line of constant value.

Flicker noise is $1/f$ noise and is stated in equation form as:

$$\overline{e^2} = \int (K_e^2/f)df \text{ or } \overline{i^2} = \int (K_i^2/f)df$$

See equation (3). When plotted vs frequency on log-log scales, $1/f$ noise is a line with constant slope. If the power density V^2/Hz is plotted, the slope is -1 decade per decade. If the square root of the power density, $V_{rms}/\sqrt{\text{Hz}}$, is plotted, the slope is -0.5 decade per decade.

Figure 3 shows the spectra of $1/f$ and white noise per root hertz.

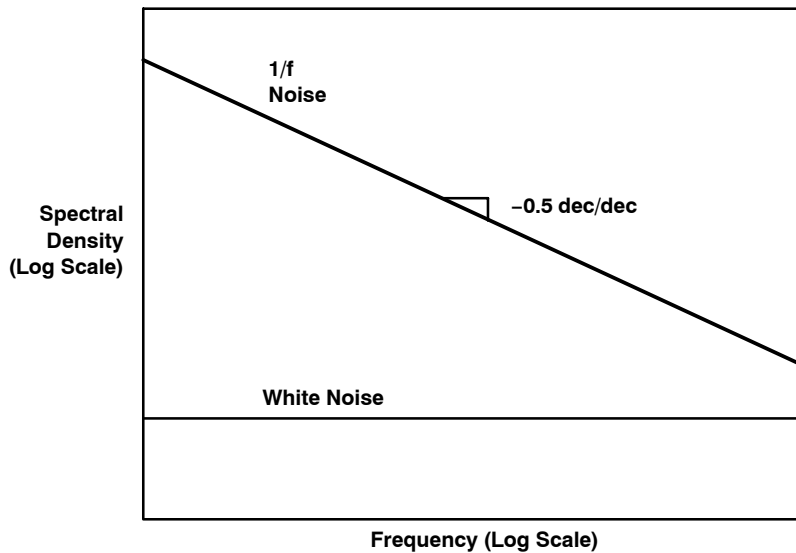


Figure 3. $1/f$ and White Noise Spectra

Integrating Noise

To determine the noise or current voltage over a given frequency band, the beginning and ending frequencies are used as the f integration limits and the integral evaluated. The following analysis uses voltages; the same is true for currents.

Given a white or constant voltage noise versus frequency source then:

$$\overline{e^2} = \int_{f_L}^{f_H} C df = C (f_H - f_L) \quad (7)$$

where $\overline{e^2}$ is the average mean-square voltage, C is the spectral power density per hertz (constant), f_L is the lowest frequency, and f_H is the highest frequency.

Given a 1/f voltage noise versus frequency source then:

$$\overline{e^2} = \int_{f_L}^{f_H} \frac{K^2}{f} df = K^2 \ln \frac{f_H}{f_L} \quad (8)$$

where $\overline{e^2}$ is the average mean-square voltage, K is the appropriate device constant in volts, f_L is the lowest frequency, and f_H is the highest frequency.

The input noise of an op amp contains both 1/f noise and white noise. The point in the frequency spectrum where 1/f noise and white noise are equal is referred to as the noise corner frequency, f_{nc} . Using the same notation as in the equations above, this means that $K^2/f_{nc} = C$. It is useful to find f_{nc} because the total average mean-square noise can be calculated by adding equations (7) and (8) and substituting Cf_{nc} for K^2 :

$$\overline{E^2} = C \left(f_{nc} \ln \frac{f_H}{f_L} + f_H - f_L \right) \quad (9)$$

Where C is the square of the white noise voltage specification for the op amp.

Figure 4 shows the equivalent input noise voltage vs frequency graph for the TLV2772 as normally displayed in the data sheet.

f_{nc} can be determined visually from the graph of equivalent input noise per root hertz vs. frequency graph that is included in most op amp data sheets. Since at f_{nc} the white noise and 1/f noise are equal, f_{nc} is the frequency at which the noise is $\sqrt{2}$ x white noise specification. This would be about $17 \text{ nV}/\sqrt{\text{Hz}}$ for the TLV2772, which is at 1000 Hz as shown in Figure 4.

Another way to find f_{nc} , is to determine K^2 by finding the equivalent input noise voltage per root hertz at the lowest possible frequency in the 1/f noise region, square this value, subtract the white noise voltage squared, and multiply by the frequency. Then divide K^2 by the white noise specification squared. The answer is f_{nc} .

For example, the TLV2772 has a typical noise voltage of $130 \text{ nV}/\sqrt{\text{Hz}}$ at 10 Hz.

The typical white noise specification for the TLV2772 is $12 \text{ nV}/\sqrt{\text{Hz}}$

$$K^2 = \left[\left(130 \text{ nV}/\sqrt{\text{Hz}} \right)^2 - \left(12 \text{ nV}/\sqrt{\text{Hz}} \right)^2 \right] \times (10 \text{ Hz}) = 167560 \text{ (nV)}^2$$

Therefore, $f_{nc} = (167560 \text{ (nV)}^2) / (144 \text{ (nV)}^2 / \text{Hz}) = 1163 \text{ Hz}$

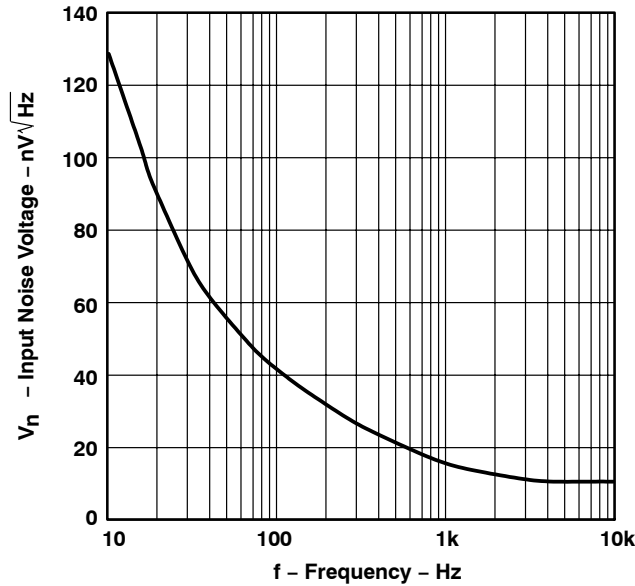


Figure 4. Equivalent Input Noise Voltage vs Frequency for TLV2772 as Normally Presented

Figure 5 was constructed by interpreting the equivalent input noise voltage versus frequency graph for the TLV2772 and plotting the values on log-log scales. The -0.5 dec/dec straight line nature of $1/f$ noise when plotted on log-log scales can be seen.

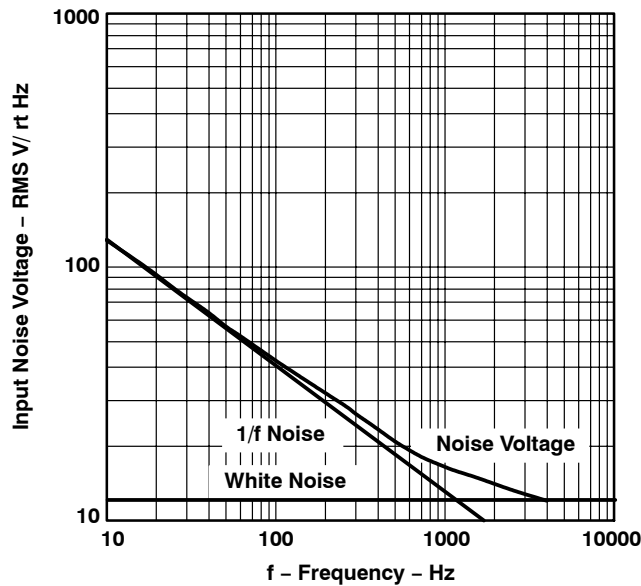


Figure 5. Equivalent Input Noise Voltage vs Frequency for TLV2772 on Log-Log Scale

Equivalent Noise Bandwidth

Equations (7), (8), and (9) are only true if the bandwidth of the op amp circuit is brick-wall. In reality there is always a certain amount of out-of-band energy transferred. The equivalent noise bandwidth (ENB) is used to account for the extra noise so that brick-wall frequency limits can be used in equations (7), (8), and (9). Figure 6 shows the idea for a first order low-pass filter.

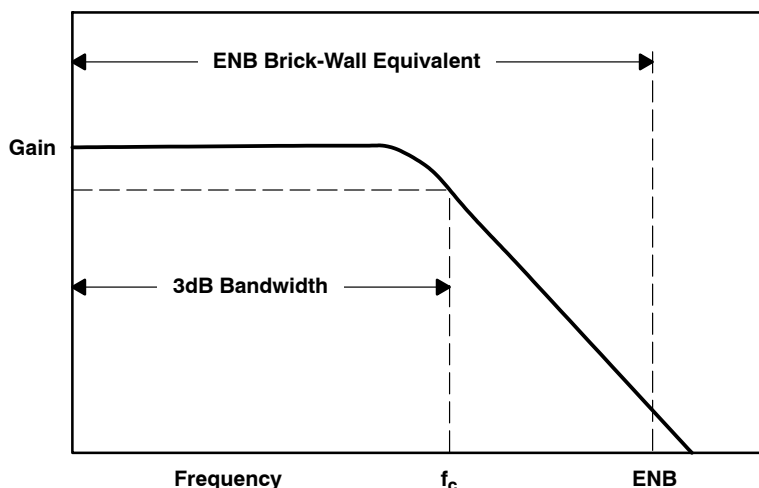


Figure 6. ENB Brick-Wall Equivalent

Figure 7 shows an example of a simple RC filter used to filter a voltage noise source, e_{in} .

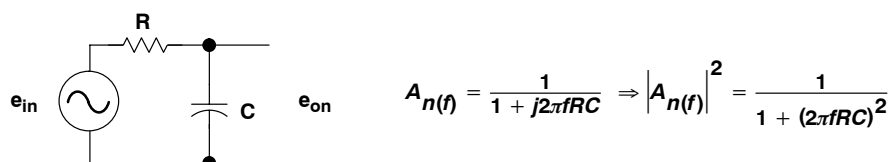


Figure 7. RC Filter

$A_n(f)$ is the frequency-dependant gain of the circuit, and e_{on} is calculated:

$$e_{on} = \sqrt{\int_0^{\infty} |A_n(f)|^2 e_{in}^2 df} \tag{10}$$

Assuming e_{in} is a white noise source (specified as a spectral density in V/\sqrt{Hz}), using radian measure for frequency, and substituting for $A_n(f)$, the equation can be solved as follows:

$$e_{on} = e_{in} \sqrt{\int_0^{\infty} \frac{1}{1 + (2\pi fRC)^2} df} = e_{in} \sqrt{\frac{1}{2\pi RC} \int_0^{\infty} \tan^{-1} 2\pi fRC} = e_{in} \sqrt{\frac{1}{2\pi RC} \frac{\pi}{2}} \tag{11}$$

So that the ENB = 1.57 x 3dB bandwidth in this first-order system. This result holds for any first-order low-pass function. For higher order filters the ENB approaches the normal cutoff frequency, f_c , of the filter. Table 1 shows the ENB for different order low-pass filters.

Table 1. ENB vs Filter Order for Low-Pass Filters

FILTER ORDER	ENB
1	1.57 x f _c
2	1.11 x f _c
3	1.05 x f _c
4	1.025 x f _c

Resistor Noise Model

To reiterate, noise in a resistor can be modeled as a voltage source in series, or as a current source in parallel, with an otherwise noiseless resistor as shown in Figure 8. These models are equivalent and can be interchanged as required to ease analysis. This is explored in Appendix A.

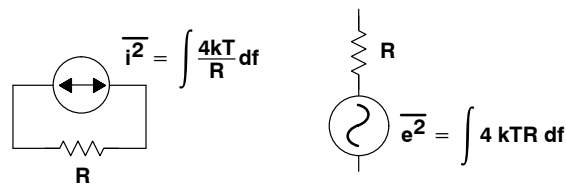


Figure 8. Resistor Noise Models

Op Amp Circuit Noise Model

Op amp manufacturers measure the noise characteristics for a large sampling of a device. This information is compiled and used to determine the typical noise performance of the device. The noise specifications published by Texas Instruments in their data sheets refer the measured noise to the input of the op amp. The part of the internally generated noise that can properly be represented by a voltage source is placed in series with the positive input to an otherwise noiseless op amp. The part of the internally generated noise that can properly be represented by current sources is placed between each input and ground in an otherwise noiseless op amp. Figure 9 shows the resulting noise model for a typical op amp.

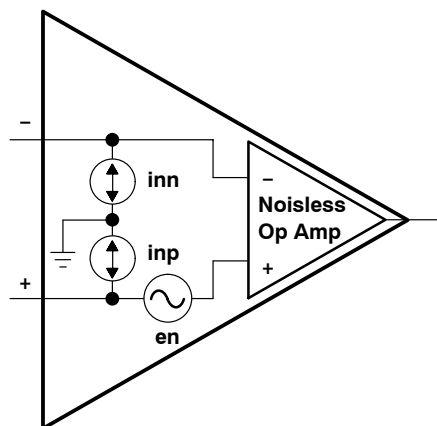


Figure 9. Op Amp Noise Model

Inverting and Noninverting Op Amp Circuit Noise Calculations

To perform a noise analysis, the foregoing noise models are added to the circuit schematic and the input signal sources are shorted to ground. When this is done to either an inverting or a noninverting op amp circuit, the same circuit results, as shown in Figure 10. This circuit is used for the following noise analysis.

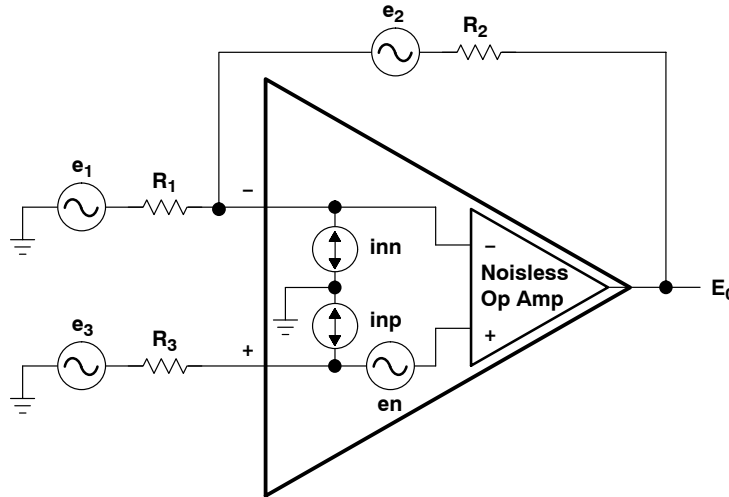


Figure 10. Inverting and Noninverting Noise Analysis Circuit

At first, this analysis may appear somewhat daunting, but it can be deciphered piece by piece. Using the principles of superposition, each of the noise sources is isolated, and everything else is assumed to be noiseless. Then the results can be added according to the rules for adding independent noise sources. An ideal op amp is assumed for the noiseless op amp. In the end it will all seem simple, if a little tedious the first time through.

Figures 11 through 13 show the analysis.

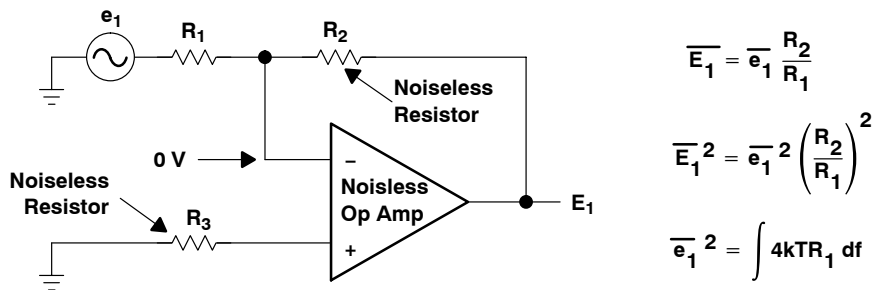


Figure 11. E1

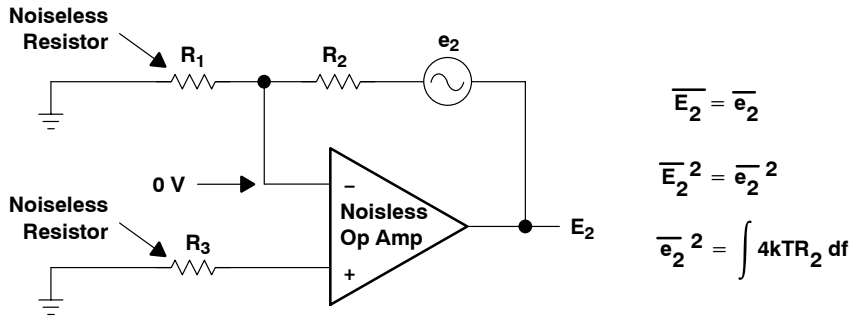


Figure 12. E2

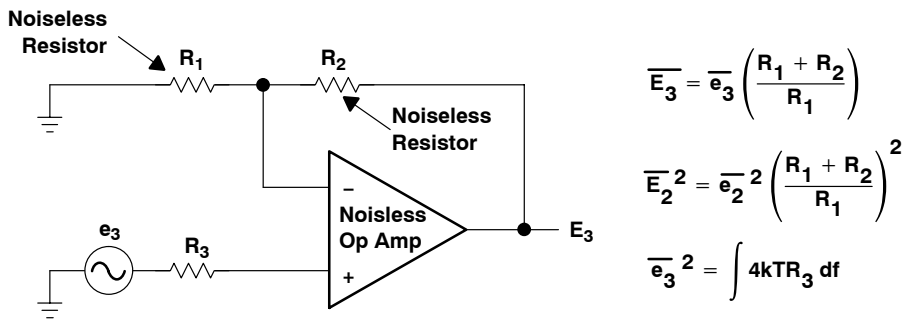


Figure 13. E3

Combining to arrive at the solution for the circuit's output rms noise voltage, E_{Rrms} , due to the thermal noise of the resistors in the circuit:

(12)

$$E_{Rrms} = \sqrt{\overline{E_1}^2 + \overline{E_2}^2 + \overline{E_3}^2}$$

$$E_{Rrms} = \sqrt{\int \left[4kTR_1 \left(\frac{R_2}{R_1} \right)^2 + 4kTR_2 + 4kTR_3 \left(\frac{R_1 + R_2}{R_1} \right)^2 \right] df}$$

$$E_{Rrms} = \sqrt{\int \left[4kTR_2 \left(\frac{R_1 + R_2}{R_1} \right) + 4kTR_3 \left(\frac{R_1 + R_2}{R_1} \right)^2 \right] df}$$

If it is desired to know the resistor noise referenced to the input, E_{iRrms} , the output noise is divided by the noise gain, A_n , of the circuit:

$$A_n = \left(\frac{R_1 + R_2}{R_1} \right) \tag{13}$$

(14)

$$E_{iRms}^2 = \left(\frac{E_{Rrms}}{A_n}\right)^2 = \int \frac{\left[4kTR_2\left(\frac{R_1+R_2}{R_1}\right) + 4kTR_3\left(\frac{R_1+R_2}{R_1}\right)^2\right] df}{\left(\frac{R_1+R_2}{R_1}\right)^2} = \int 4kT \left[\left(\frac{R_1R_2}{R_1+R_2}\right) + R_3\right] df$$

Normally R_3 is chosen to be equal to the parallel combination of R_1 and R_2 to minimize offset voltages due to input bias current. If this is done, the equation simplifies to:

(15)

$$E_{iRms} = \sqrt{\int 8kTR_3 df} \quad \text{When } R_3 = \left(\frac{R_1R_2}{R_1+R_2}\right)$$

Now consider the noise sources associated with the op amp itself. The analysis proceeds as before as shown in Figures 14 through 16.

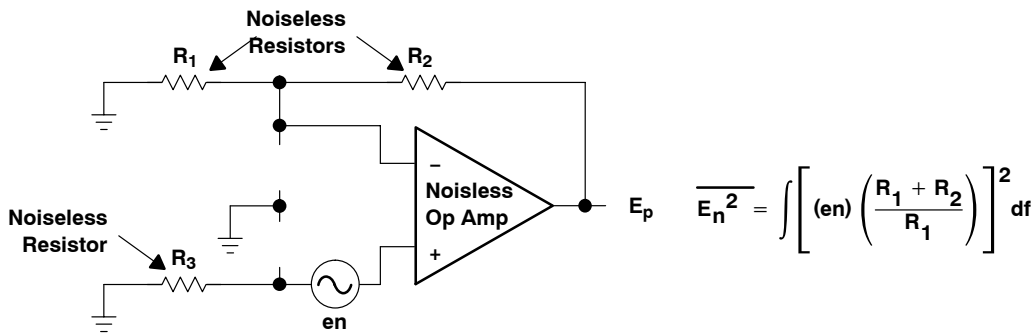


Figure 14. E_p

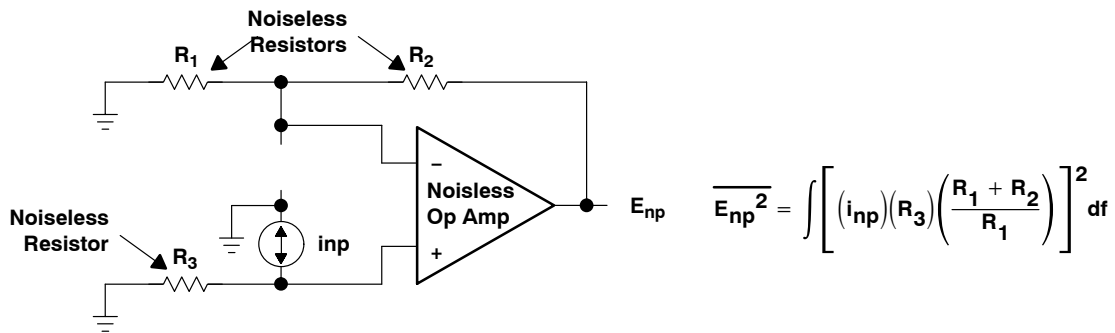


Figure 15. E_{np}

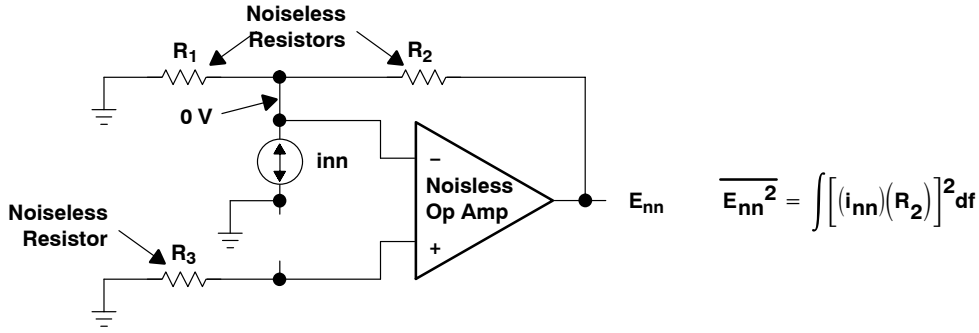


Figure 16. E_{nn}

Combining to arrive at the solution for the circuit's output rms noise voltage, E_{oarms} , due to the input referred op amp noise in the circuit: (16)

$$E_{oarms} = \sqrt{\overline{E_n^2} + \overline{E_{np}^2} + \overline{E_{nn}^2}}$$

$$E_{oarms} = \sqrt{\int \left[(i_{nn}(R_2))^2 + \left((i_{np})R_3 \left(\frac{R_1 + R_2}{R_1} \right) \right)^2 + \left(e_n \left(\frac{R_1 + R_2}{R_1} \right) \right)^2 \right] df}$$

Now combining the resistor noise and the op amp noise to get the total output rms noise voltage, E_{Trms} . (17)

$$E_{Trms} = \sqrt{\int \left[4kTR_2 \left(\frac{R_1 + R_2}{R_1} \right) + 4kTR_3 \left(\frac{R_1 + R_2}{R_1} \right)^2 + (i_{nn}R_2)^2 + \left((i_{np})R_3 \left(\frac{R_1 + R_2}{R_1} \right) \right)^2 + \left(e_n \left(\frac{R_1 + R_2}{R_1} \right) \right)^2 \right] df}$$

The only work left is to evaluate the integral. Most of the terms are constants that can be brought straight out of the integral. The resistors and their associated noise are constant over frequency so that the first two terms are constants. The last three terms contain the input referred noise of the op amp. The voltage and current input referred noise of op amps contains flicker noise, shot noise, and thermal noise. This means that they must be evaluated as a combination of white and 1/f noise. Using equation (9) and Table 1, the output noise is:

$$E_{Trms} = \sqrt{ENB(4kTR_2A + 4kTR_3A^2) + i_w^2(R_2^2 + R_3^2A^2) \left(f_{inc} \ln \frac{f_H}{f_L} + ENB \right) + e_w^2A^2 \left(f_{enc} \ln \frac{f_H}{f_L} + ENB \right)}$$

Where $A = (R_1 + R_2)/R_1$, i_w is the white current noise specification (spectral density in A/\sqrt{Hz}), f_{inc} is the current noise corner frequency, e_w is the white voltage noise specification (spectral density in V/\sqrt{Hz} , and f_{enc} is the voltage noise corner frequency. ENB is determined by the frequency characteristics of the circuit. f_H/f_L is set equal to ENB.

In CMOS input op amps, noise currents are normally so low that the input noise voltage dominates and the i_w terms are not factored into the noise computation. Also, since bias current is very low, there is no need to use R_3 for bias current compensation, and it, too, is removed from the circuit and the calculations. With these simplifications the formula above reduces to:

$$E_{Trms} = \sqrt{ENB 4kTR_2 A + e_w^2 A^2 \left(f_{enc} \ln \frac{f_H}{f_L} + ENB \right)} \quad \text{CMOS input op amps}$$

Differential Op Amp Circuit Noise Calculations

A noise analysis for a differential amplifier can be done in the same manner as the previous example. Figure 17 shows the circuit used for the analysis.

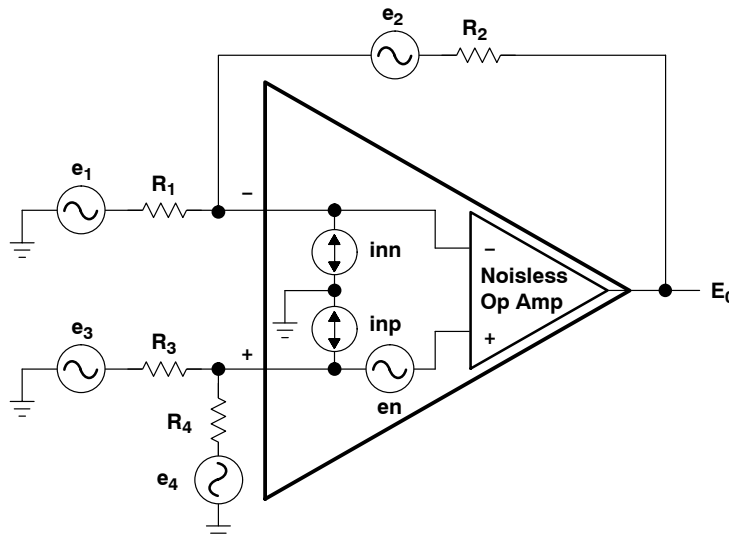


Figure 17. Differential Op Amp Circuit Noise Model

Figures 18 through 21 show the analysis.

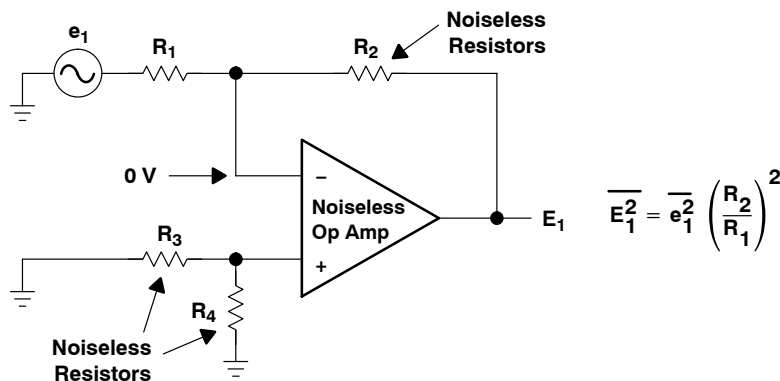


Figure 18. e1

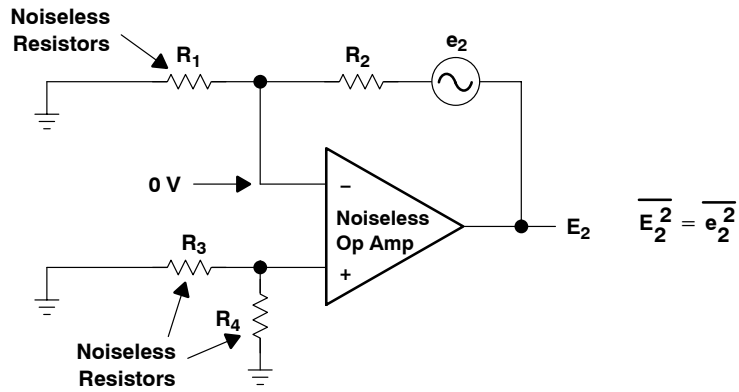


Figure 19. e2

$$\overline{E_2^2} = \overline{e_2^2}$$

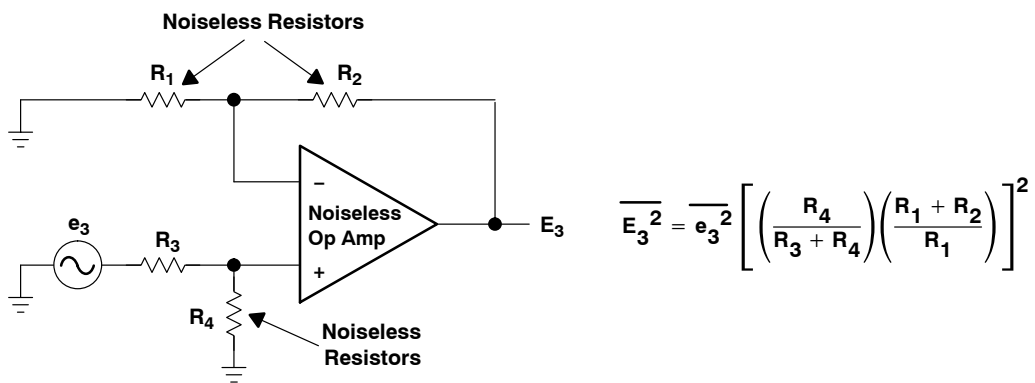


Figure 20. e3

$$\overline{E_3^2} = \overline{e_3^2} \left[\left(\frac{R_4}{R_3 + R_4} \right) \left(\frac{R_1 + R_2}{R_1} \right) \right]^2$$

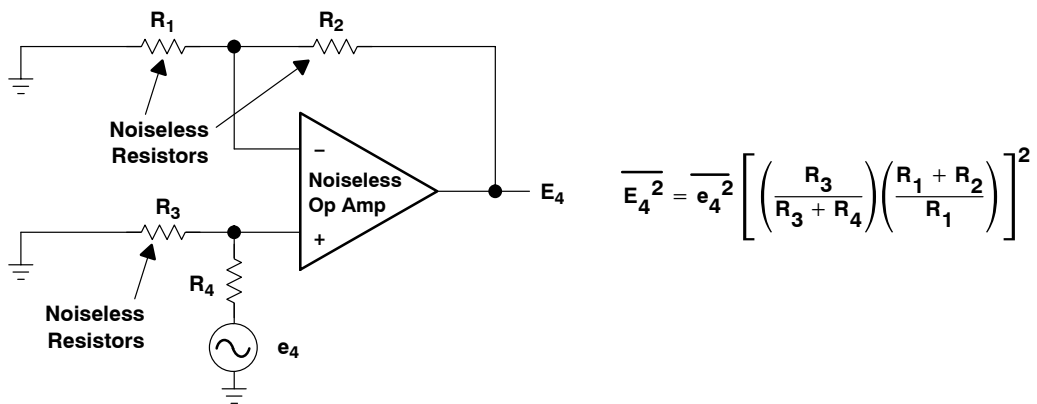


Figure 21. e4

$$\overline{E_4^2} = \overline{e_4^2} \left[\left(\frac{R_3}{R_3 + R_4} \right) \left(\frac{R_1 + R_2}{R_1} \right) \right]^2$$

Combining to arrive at the solution for the circuit's output rms noise voltage, E_{Rrms} , due to the thermal noise in the resistors in the circuit:

(18)

$$E_{Rrms} = \sqrt{E_1^2 + E_2^2 + E_3^2 + E_4^2}$$

$$E_{Rrms} = \sqrt{\int \left[\left(4kTR_1 \left(\frac{R_2}{R_1} \right)^2 \right) + (4kTR_2) + \left(4kTR_3 \left(\frac{R_4}{R_3 + R_4} \right)^2 \left(\frac{R_1 + R_2}{R_1} \right)^2 \right) + \left(4kTR_4 \left(\frac{R_3}{R_3 + R_4} \right)^2 \left(\frac{R_1 + R_2}{R_1} \right)^2 \right) \right] df}$$

$$E_{Rrms} = \sqrt{\int 4kT \left[\frac{R_2^2}{R_1} + R_2 + \left(R_3 \left(\frac{R_4}{R_3 + R_4} \right)^2 \left(\frac{R_1 + R_2}{R_1} \right)^2 \right) + \left(R_4 \left(\frac{R_3}{R_3 + R_4} \right)^2 \left(\frac{R_1 + R_2}{R_1} \right)^2 \right) \right] df}$$

Normally $R_1 = R_3$ and $R_2 = R_4$. Making this substitution reduces the above equation to:

$$E_{Rrms} = \sqrt{\int 8kTR_2 \left(1 + \frac{R_2}{R_1} \right) df} \quad \text{if } R_1 = R_3 \text{ and } R_2 = R_4 \quad (19)$$

Now consider the noise sources associated with the op amp itself. The analysis proceeds as before as shown in Figures 22 through 24.

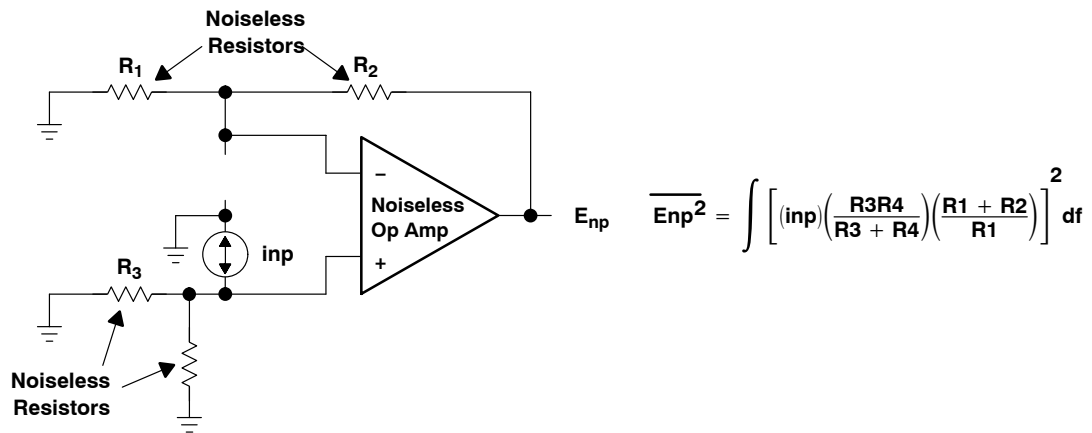


Figure 22. inp

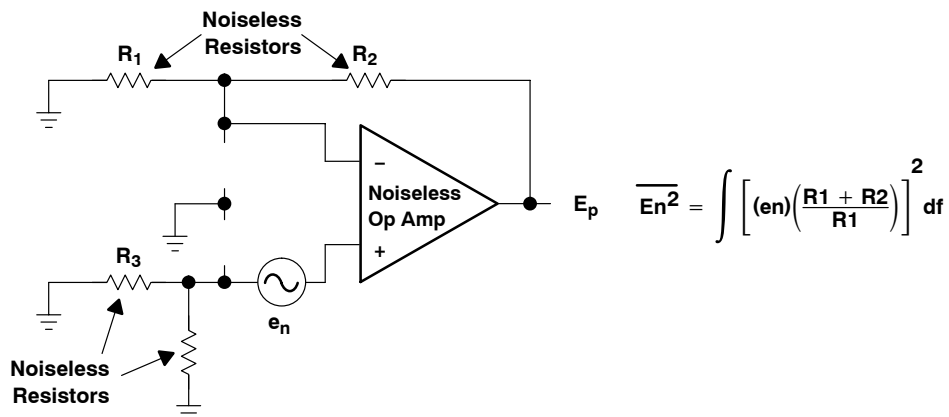


Figure 23. en

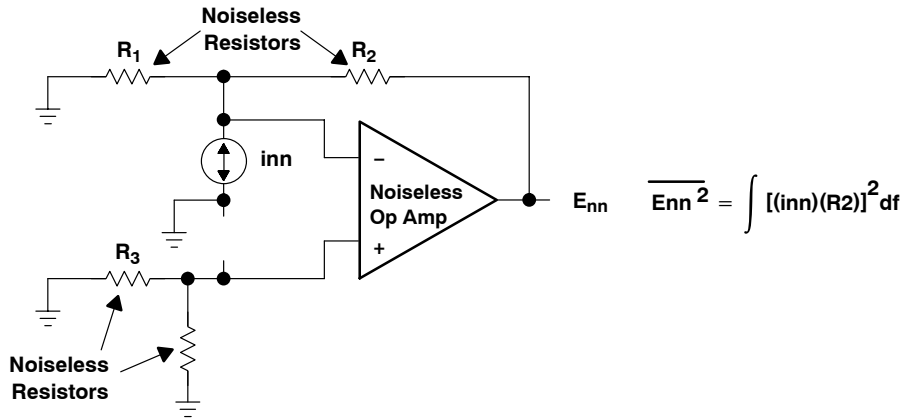


Figure 24. inn

Combining to arrive at the solution for the circuit's output rms noise voltage, E_{oarms} , due to the input referred op amp noise in the circuit:

(20)

$$E_{oarms} = \sqrt{\overline{E_n^2} + \overline{E_{np}^2} + \overline{E_{nn}^2}}$$

$$E_{oarms} = \sqrt{\int \left[((inn) R2)^2 + \left((inp) \left(\frac{R3R4}{R3 + R4} \right) \left(\frac{R1 + R2}{R1} \right) \right)^2 + \left(en \left(\frac{R1 + R2}{R1} \right) \right)^2 \right] df}$$

Normally $R_1 = R_3$, $R_2 = R_4$, and $inn = inp = in$. Making this substitution reduces the above equation to:

(21)

$$E_{oarms} = \sqrt{\int \left[(2inR2)^2 + \left(en \left(\frac{R1 + R2}{R1} \right) \right)^2 \right] df}$$

$$R1 = R3, R2 = R4 \text{ and } inn = inp = in$$

Now combine the resistor noise and the op amp noise to get the total output rms noise voltage, E_{Trms} .

$$E_{Trms} = \sqrt{\int \left[(inn) R_2)^2 + \left(inp \left(\frac{R_3 R_4}{R_3 + R_4} \right) \left(\frac{R_1 + R_2}{R_1} \right) \right)^2 + \left(en \left(\frac{R_1 + R_2}{R_1} \right) \right)^2 + \left(4kTR_1 \left(\frac{R_2}{R_1} \right)^2 \right) + (4kTR_2) + \left(4kTR_3 \left(\frac{R_4}{R_3 + R_4} \right)^2 \left(\frac{R_1 + R_2}{R_1} \right)^2 \right) + \left(4kTR_4 \left(\frac{R_3}{R_3 + R_4} \right)^2 \left(\frac{R_1 + R_2}{R_1} \right)^2 \right) \right] df} \quad (22)$$

$$E_{Trms} = \sqrt{\int \left[(inn) R_2)^2 + \left(inp \left(\frac{R_3 R_4}{R_3 + R_4} \right) \left(\frac{R_1 + R_2}{R_1} \right) \right)^2 + \left(en \left(\frac{R_1 + R_2}{R_1} \right) \right)^2 + 4kT \left[\frac{R_2^2}{R_1} + R_2 + \left(R_3 \left(\frac{R_4}{R_3 + R_4} \right)^2 \left(\frac{R_1 + R_2}{R_1} \right)^2 \right) + \left(R_4 \left(\frac{R_3}{R_3 + R_4} \right)^2 \left(\frac{R_1 + R_2}{R_1} \right)^2 \right) \right] \right] df}$$

Substituting $R_1 = R_3$, $R_2 = R_4$, and $inn = inp = in$:

$$E_{Trms} = \sqrt{\int \left[2 (inR_2)^2 + \left(en \left(\frac{R_1 + R_2}{R_1} \right) \right)^2 + 8kTR_2 \left(\frac{R_1 + R_2}{R_1} \right) \right] df} \quad (23)$$

$$R_1 = R_3, R_2 = R_4 \text{ and } inn = inp = in$$

Evaluating the integral using these simplifications results in:

$$E_{Trms} = \sqrt{ENB 8kTR_2 A + 2 \left(i_w^2 R_2^2 \right) \left(f_{inc} \ln \frac{f_H}{f_L} + ENB \right) + e_w^2 A^2 \left(f_{enc} \ln \frac{f_H}{f_L} + ENB \right)} \quad (24)$$

$$R_1 = R_3, R_2 = R_4 \text{ and } inn = inp = in$$

Where $A = (R_1 + R_2)/R_1$, i_w is the white current noise specification (spectral density in A/\sqrt{Hz}), f_{inc} is the current noise corner frequency, e_w is the white voltage noise specification (spectral density in V/\sqrt{Hz}), and f_{enc} is the voltage noise corner frequency. ENB is determined by the frequency characteristics of the circuit. f_H/f_L is set equal to ENB.

Summary

The techniques presented here can be used to perform a noise analysis on any circuit. Superposition was chosen for illustrative purposes, but the same solutions can be derived by using other circuit analysis techniques.

Noise is a purely random signal; the instantaneous value and/or phase of the waveform cannot be predicted at any time. The only information available for circuit calculations is the average mean-square value of the signal. With multiple noise sources in a circuit, the total root-mean-square (rms) noise signal that results is the square root of the sum of the average mean-square values of the individual sources.

$$E_{Totalrms} = \sqrt{e_{1rms}^2 + e_{2rms}^2 + \dots e_{nrms}^2}$$

Because noise adds by the square, when there is an order of magnitude or more difference in value, the lower value can be ignored with very little error. For example:

$$\sqrt{1^2 + 10^2} = 10.05$$

If the 1 is ignored, the error is 0.5%. With modern computational resources, evaluation of all the terms is trivial, but it is important to understand the principles so that time will be spent reducing the 10 before working on the 1.

Noise is normally specified as a spectral density in rms volts or amps per root Hertz, V/\sqrt{Hz} or A/\sqrt{Hz} . To calculate the amplitude of the expected noise signal, the spectral density is integrated over the equivalent noise bandwidth (ENB) of the circuit.

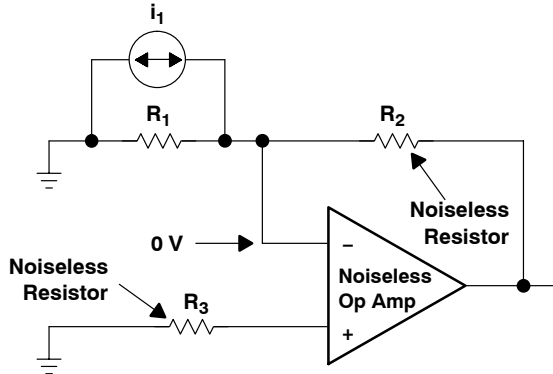
Very often the peak-to-peak value of the noise is of interest. Once the total rms noise signal is calculated, the expected peak-to-peak value can be calculated. The instantaneous value will be equal to or less than 6 times the rms value 99.7% of the time.

References

1. J. B. Johnson. *Thermal Agitation of Electricity in Conductors*. Physical Review, July 1928, Vol. 32.
2. Aldert van der Ziel. *Noise*. Prentice-Hall, Inc., 1954.
3. H. Nyquist. *Thermal Agitation of Electric Charge in Conductors*. Physical Review, July 1928, Vol. 32.
4. Paul R. Gray and Robert G Meyer. *Analysis and Design of Analog Integrated Circuits*. 2d ed., John Wiley & Sons, Inc., 1984.
5. Sergio Franco. *Design with Operational Amplifiers and Analog Integrated Circuits*. McGraw-Hill, Inc., 1988.
6. David E. Johnson, Johnny R. Johnson, and John L. Hilburn. *Electric Circuit Analysis*. Prentice-Hall, Inc., 1989.

Appendix A Using Current Sources for Resistor Noise Analysis

Figures A1 through A3 show analysis of the resistor noise in the inverting/noninverting op amp noise analysis circuit using current sources in parallel with the noiseless resistors.

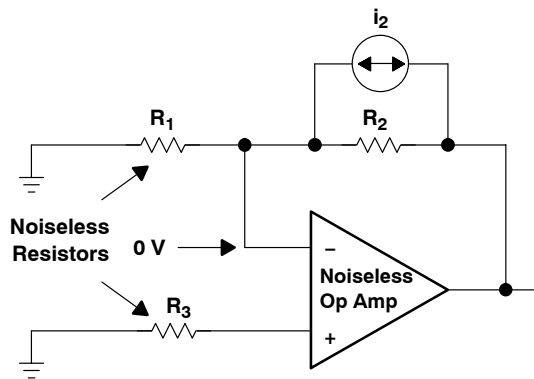


$$\overline{E_1} = \overline{i_1} R_1 \frac{R_2}{R_1} = \overline{i_1} R_2$$

$$\overline{E_1^2} = (\overline{i_1} R_2)^2$$

$$\overline{i_1^2} = \int \frac{4kT}{R_1} df$$

Figure A-1. E1

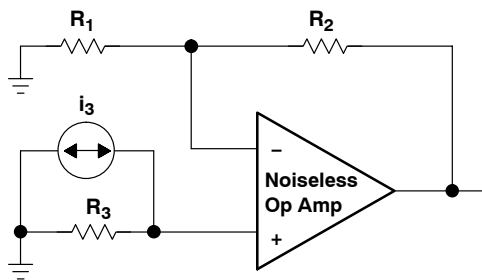


$$\overline{E_2} = \overline{i_2} R_2$$

$$\overline{E_2^2} = (\overline{i_2} R_2)^2$$

$$\overline{i_2^2} = \int \frac{4kT}{R_2} df$$

Figure A-2. E2



$$\overline{E_3} = \overline{i_3} R_3 \left(\frac{R_1 + R_2}{R_1} \right)$$

$$\overline{E_3^2} = \left[\overline{i_3} R_3 \left(\frac{R_1 + R_2}{R_1} \right) \right]^2$$

$$\overline{i_3^2} = \int \frac{4kT}{R_3} df$$

Figure A-3. E3

Combining the independent noise signals:

(A-1)

$$E_{Rrms} = \sqrt{\overline{E_1^2} + \overline{E_2^2} + \overline{E_3^2}}$$

$$E_{Rrms} = \sqrt{\int \left[\frac{4kT}{R_1} R_2^2 + \frac{4kT}{R_2} R_2^2 + \frac{4kT}{R_3} R_3^2 \left(\frac{R_1 + R_2}{R_1} \right)^2 \right] df}$$

$$E_{Rrms} = \sqrt{\int \left[4kTR_2 \left(\frac{R_1 + R_2}{R_1} \right) + 4kTR_3 \left(\frac{R_1 + R_2}{R_1} \right)^2 \right] df}$$

The resulting equation is the same as equation (12) presented earlier.

IMPORTANT NOTICE

Texas Instruments Incorporated and its subsidiaries (TI) reserve the right to make corrections, modifications, enhancements, improvements, and other changes to its products and services at any time and to discontinue any product or service without notice. Customers should obtain the latest relevant information before placing orders and should verify that such information is current and complete. All products are sold subject to TI's terms and conditions of sale supplied at the time of order acknowledgment.

TI warrants performance of its hardware products to the specifications applicable at the time of sale in accordance with TI's standard warranty. Testing and other quality control techniques are used to the extent TI deems necessary to support this warranty. Except where mandated by government requirements, testing of all parameters of each product is not necessarily performed.

TI assumes no liability for applications assistance or customer product design. Customers are responsible for their products and applications using TI components. To minimize the risks associated with customer products and applications, customers should provide adequate design and operating safeguards.

TI does not warrant or represent that any license, either express or implied, is granted under any TI patent right, copyright, mask work right, or other TI intellectual property right relating to any combination, machine, or process in which TI products or services are used. Information published by TI regarding third-party products or services does not constitute a license from TI to use such products or services or a warranty or endorsement thereof. Use of such information may require a license from a third party under the patents or other intellectual property of the third party, or a license from TI under the patents or other intellectual property of TI.

Reproduction of information in TI data books or data sheets is permissible only if reproduction is without alteration and is accompanied by all associated warranties, conditions, limitations, and notices. Reproduction of this information with alteration is an unfair and deceptive business practice. TI is not responsible or liable for such altered documentation.

Resale of TI products or services with statements different from or beyond the parameters stated by TI for that product or service voids all express and any implied warranties for the associated TI product or service and is an unfair and deceptive business practice. TI is not responsible or liable for any such statements.

TI products are not authorized for use in safety-critical applications (such as life support) where a failure of the TI product would reasonably be expected to cause severe personal injury or death, unless officers of the parties have executed an agreement specifically governing such use. Buyers represent that they have all necessary expertise in the safety and regulatory ramifications of their applications, and acknowledge and agree that they are solely responsible for all legal, regulatory and safety-related requirements concerning their products and any use of TI products in such safety-critical applications, notwithstanding any applications-related information or support that may be provided by TI. Further, Buyers must fully indemnify TI and its representatives against any damages arising out of the use of TI products in such safety-critical applications.

TI products are neither designed nor intended for use in military/aerospace applications or environments unless the TI products are specifically designated by TI as military-grade or "enhanced plastic." Only products designated by TI as military-grade meet military specifications. Buyers acknowledge and agree that any such use of TI products which TI has not designated as military-grade is solely at the Buyer's risk, and that they are solely responsible for compliance with all legal and regulatory requirements in connection with such use.

TI products are neither designed nor intended for use in automotive applications or environments unless the specific TI products are designated by TI as compliant with ISO/TS 16949 requirements. Buyers acknowledge and agree that, if they use any non-designated products in automotive applications, TI will not be responsible for any failure to meet such requirements.

Following are URLs where you can obtain information on other Texas Instruments products and application solutions:

Products		Applications	
Amplifiers	amplifier.ti.com	Audio	www.ti.com/audio
Data Converters	dataconverter.ti.com	Automotive	www.ti.com/automotive
DSP	dsp.ti.com	Broadband	www.ti.com/broadband
Interface	interface.ti.com	Digital Control	www.ti.com/digitalcontrol
Logic	logic.ti.com	Military	www.ti.com/military
Power Mgmt	power.ti.com	Optical Networking	www.ti.com/opticalnetwork
Microcontrollers	microcontroller.ti.com	Security	www.ti.com/security
RFID	www.ti-rfid.com	Telephony	www.ti.com/telephony
Low Power Wireless	www.ti.com/lpw	Video & Imaging	www.ti.com/video
		Wireless	www.ti.com/wireless

Mailing Address: Texas Instruments, Post Office Box 655303, Dallas, Texas 75265
Copyright © 2007, Texas Instruments Incorporated